

Installation Instructions

Bracket Liner Replacement

Part Number LNR-BKT-107 (old Part # LNR-LWS)

Replacement Criteria:

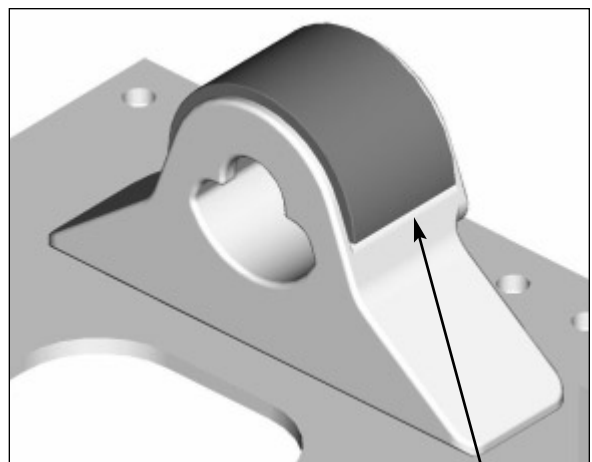
Model 6000 Series No-Slack®II – replace bracket liners every 300,000 miles/480,000 kilometers

Model 7000 Series No-Slack®II – replace bracket liners every 300,000 miles/480,000 kilometers

Model H5092 Series No-Slack® – replace bracket liners every 180,000 miles/290,000 kilometers

Removal of a Bracket Liner:

1. Remove fifth wheel from the mounting bracket. Fifth wheel removal includes:
 - a. Removing cotter pins from the retainer pins
 - b. Removing the retainer pins
 - c. Removing the bracket pins from the fifth wheel
2. Using a flat head screwdriver, pry – in an upward force – on the end of the bracket liner. Bracket liner should release from the mounting bracket.



Place flat head screwdriver here

Installation of a new Bracket Liner:

1. Place the new bracket liner directly over the mounting bracket.
2. Using a rubber mallet, hit the top of the bracket liner using a swift strong blow. The new bracket liner should lock into place.
3. Once both new liners are installed, reinstall the fifth wheel onto the mounting bracket.
4. Insert the bracket pins back into the fifth wheel (note: placing some grease on the end of each bracket pin is recommended). Reinstall the retainer pin and cotter pins.
5. Tilt the fifth wheel to the front and back of the mounting bracket to ensure that the bracket liners are properly installed.

