

**Only**

**FONTAINE®**

**Gives You the TechLock® System Advantage**

# Rebuild



**ASSEMBLY, DISASSEMBLY  
AND TROUBLESHOOTING  
INSTRUCTIONS  
FOR 3000 SERIES**



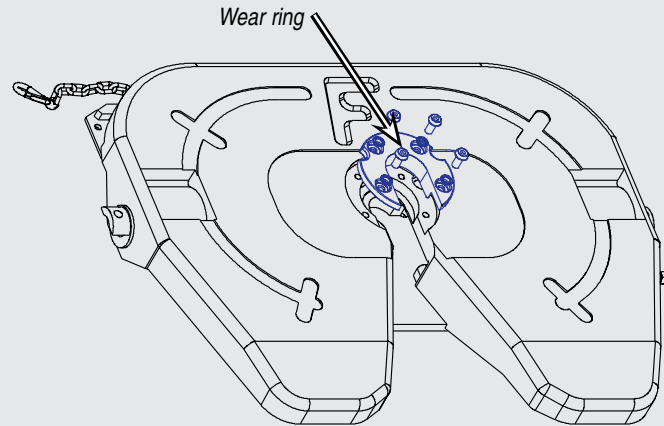
# Worn or Damaged Wear Ring Disassembly/Reassembly

Refer to exploded view of assembly on page 6-7 to identify item numbers and parts

Inspect the wear ring for damage and deterioration. Over time, friction from the kingpin causes the wear ring to deteriorate. When the width of the wear ring (measured at the top of the ring from front to back) is less than 1.63 inches, it's time to replace it. Order repair kit part number KIT-RING-3000.



**Disassembly:** Remove the wear ring (item 6) using an 8 mm hex tool.



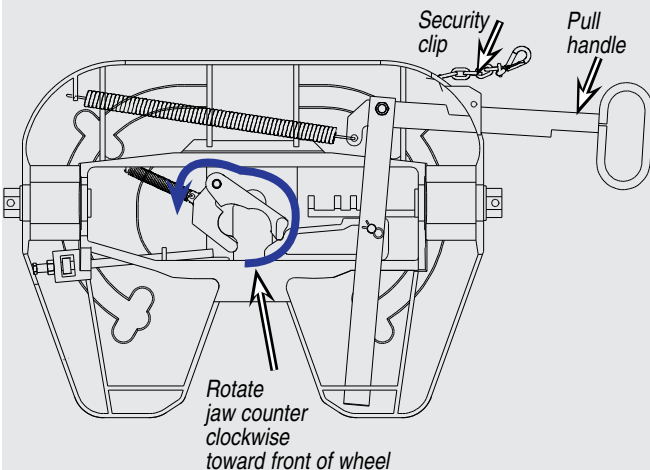
**Assembly:** Insert the new wear ring, flat washers and hex socket button head screws (items 6, 7, & 8) (Order KIT-RING-3000 and use the new hardware provided in kit). Torque all wear ring fasteners to 52Nm (38 ft lbs). **Note: Do not over tighten.**

## 3000 SERIES REBUILD DISASSEMBLY

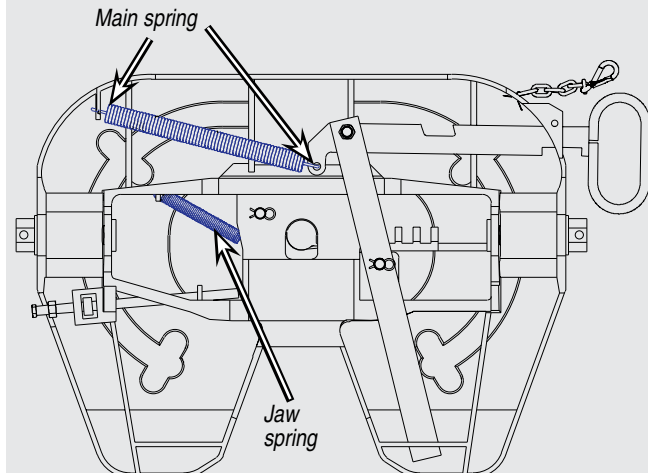
Degrease fifth wheel before installing new parts.

Refer to exploded view of assembly on page 6-7 to identify item numbers and parts

**1** Set the fifth wheel in the closed position. To do this rotate the jaw towards the front of the fifth wheel with a screw driver of adequate length to keep hands and fingers out of the throat of the wheel. This will partially close the wheel. Now pull out on the pull handle a small amount and complete the rotation of the jaw toward the front of the wheel. Allow the pull handle to go in slowly for the wheel to completely close.



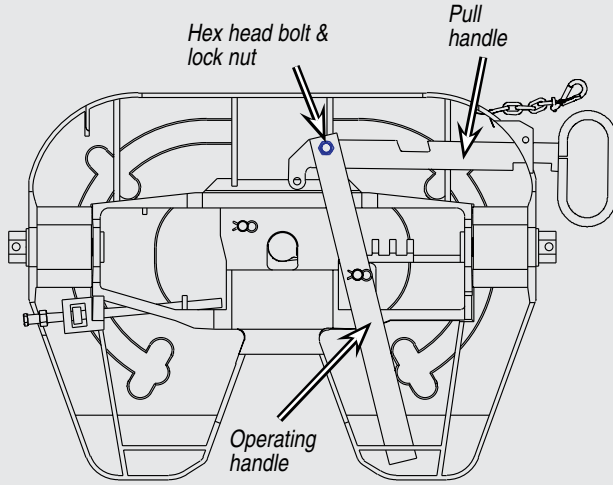
**2** Remove the jaw spring (item 19). Now remove the main springs (item 18) from the pull handle (two springs acting as one). Remove the outer spring first (large spring) from the spring clip; then the inner spring (small spring) from the spring clip.



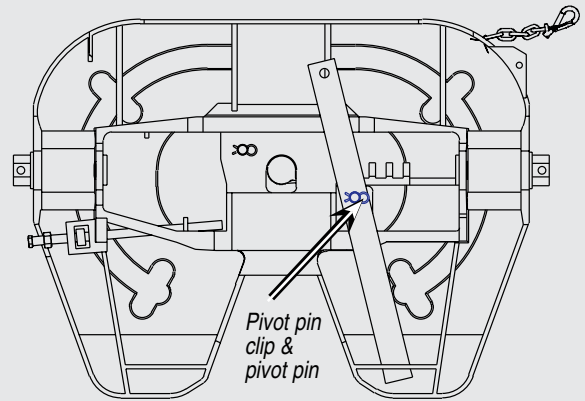
# 3000 SERIES REBUILD DISASSEMBLY (Cont.)

Refer to exploded view of assembly on page 6-7 to identify item numbers and parts

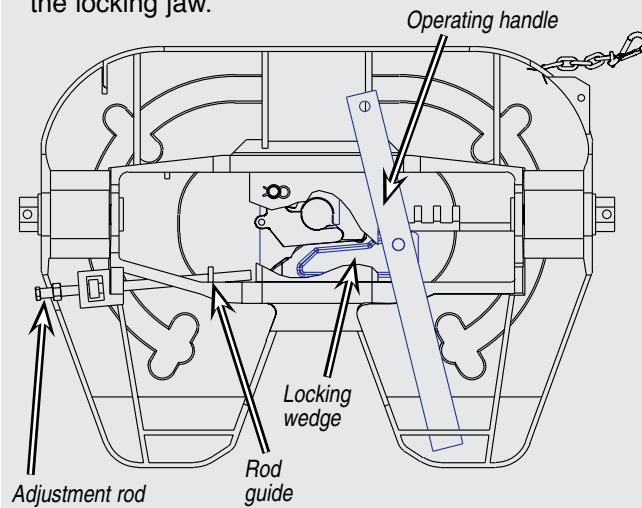
**3** Remove the 16mm hex head bolt and lock nut (items 13, 14) which secures the pull handle (item 12) to the operating handle (item 15). Remove the handle assembly.



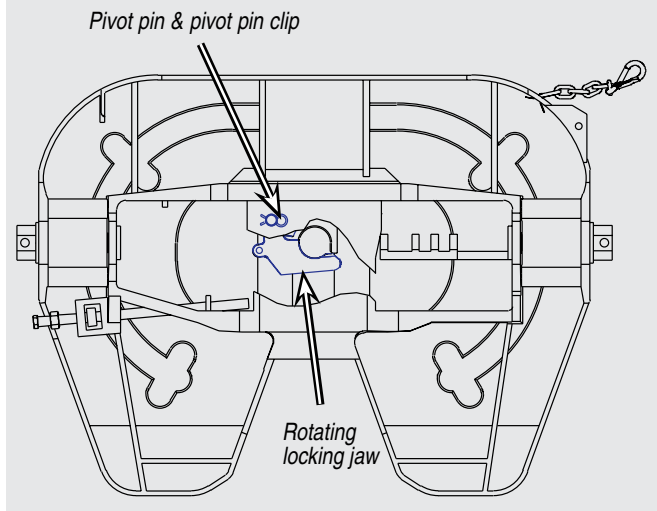
**4** Remove pivot pin clip from pivot pin (items 9 and 10) which attaches the operating handle (item 15) to the locking wedge (item 17).



**5** Remove the operating handle (item 15) and locking wedge (item 17) by pulling the operating handle to the open position. This will allow you to remove the operating handle from the wedge. Remove the wedge (item 17). Turn the adjustment rod (item 2) counter clockwise (outward) until it is even with the rod guide. This will eliminate interference when moving and installing the locking jaw.



**6** Remove the pivot pin clip from the pivot pin (item 9). Raise the top plate and remove the pivot pin (item 10) that secures the rotating locking jaw. Remove the rotating locking jaw.



**Discard used hardware – Do not reuse!**

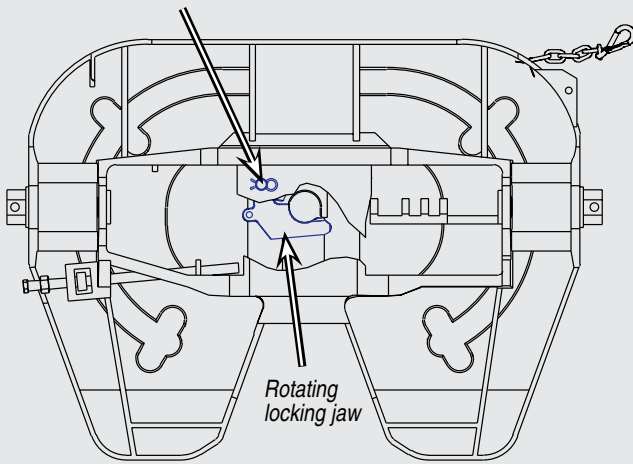
# 3000 SERIES REBUILD ASSEMBLY

Adequate lubrication should be used.

**Before rebuilding the assembly, check to make sure that there are no cracks in the cross members or other components. Also check bracket pin holes to ensure they are not worn oversize (pins should fit snugly). Refer to exploded view of assembly on page 6-7 to identify item numbers and parts. Use part # KIT-RPR-3000L.**

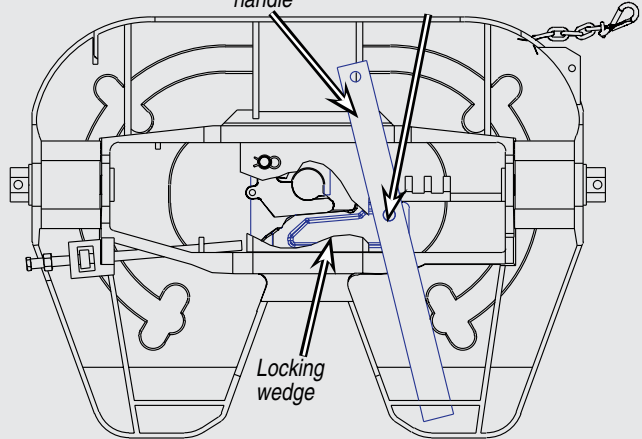
**1** Insert the rotating locking jaw (item 16) after applying a light coat of grease. **Note: Insert the jaw so that the hole in the cover plate lines up with hole in the rotating jaw.** Raise the fifth wheel and then insert the pivot pin (item 10) into the fifth wheel and then into the rotating jaw. **Note: Make sure the notched portion of the pivot pin is inserted in to the fifth wheel first.** Secure the pivot pin in place with a new pivot pin clip (item 9).

Pivot pin & pivot pin clip



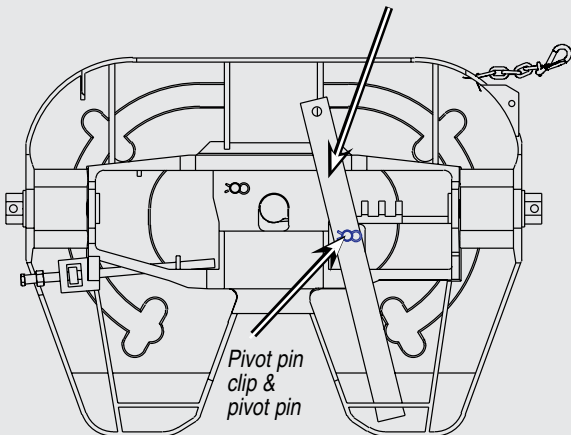
**2** Insert the new pivot pin (item 10) into the locking wedge (item 17) after applying a light coat of grease. Insert the locking wedge into the wheel. Move the locking wedge in behind the rotating locking jaw (item 16). Now slide the locking wedge back toward the outside of the wheel. This will assist in installing the operating handle. Insert the end of the operating handle (item 15) into the slot at the bottom of the fifth wheel and over the locking wedge pivot pin. Rotate the operating handle towards the center of the fifth wheel. This will slide the locking wedge behind the locking jaw.

Operating handle Pivot pin



**3** Attach the operating handle (item 15) to the locking wedge using a pivot pin clip (item 9) to secure the connection.

Operating handle

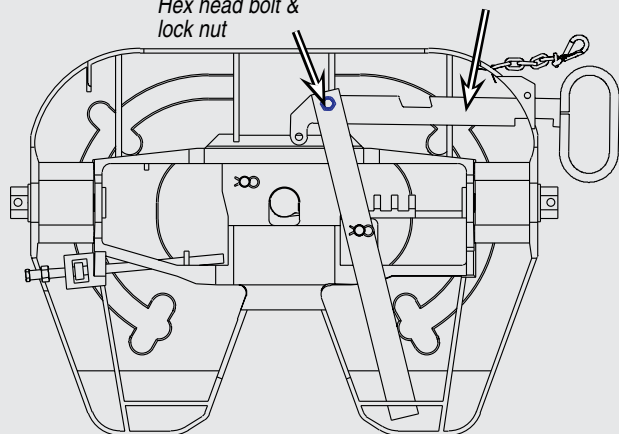


Pivot pin clip & pivot pin

**4** After applying a light coat of grease to the pivot points, insert the pull handle (item 12) into the top plate. Attach the operating handle (item 15) to the pull handle using new lock nut (item 14). **Note the orientation of the bolt (item 13) – the thread should be facing up. Do not over tighten.**

Hex head bolt & lock nut

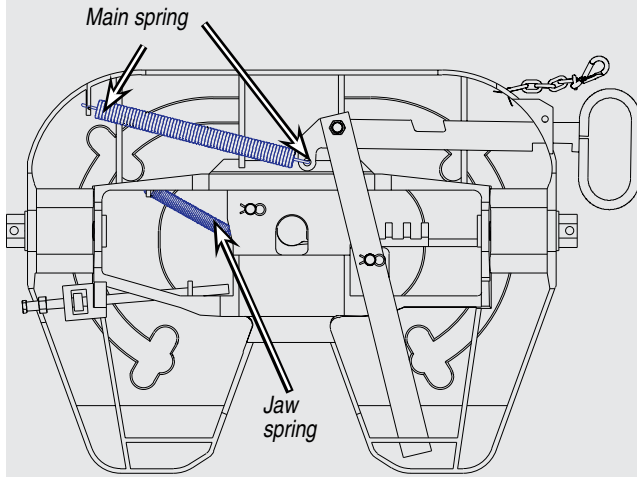
Pull handle



# 3000 SERIES REBUILD ASSEMBLY (Cont.)

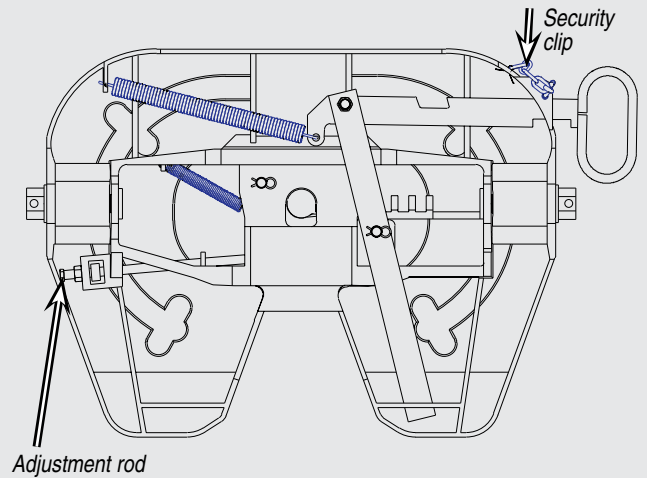
**Before rebuilding the assembly, check to make sure that there are no cracks in the cross members or other components. Also check bracket pin holes to ensure they are not worn oversize (pins should fit snugly). Refer to exploded view of assembly on page 6-7 to identify item numbers and parts.**

**5** Make sure the wheel is completely closed. Attach the jaw spring (item 19) to the rotating locking jaw. Now install the main springs (item 18) (two springs acting as one), to the pull handle (item 12). Install the inner spring first to the spring clip. Now install the outer spring to the spring clip.



**6** Open the fifth wheel, insert a 2" kingpin and close the fifth wheel. Turn the adjustment rod (item 2) clockwise (inward) until it contacts the end of the locking wedge. Now turn the adjustment rod clockwise (inward) an additional 3 complete revolutions. This will give the recommended 0.525 mm (.02") running clearance. Tighten the adjustment rod jam nut (item 1). Wheel should operate freely and smoothly without binding or interference.

**AFTER COUPLING TO A TRAILER OR 2" KINGPIN INSERT THE SECURITY CLIP.**



***Under no circumstances should a fifth wheel be repaired or used if any component (cross member, saddle bearing, etc.) is cracked.***

# 3000 SERIES REBUILD DIAGRAM

## SLTPL3000 (Left Side Release Shown)

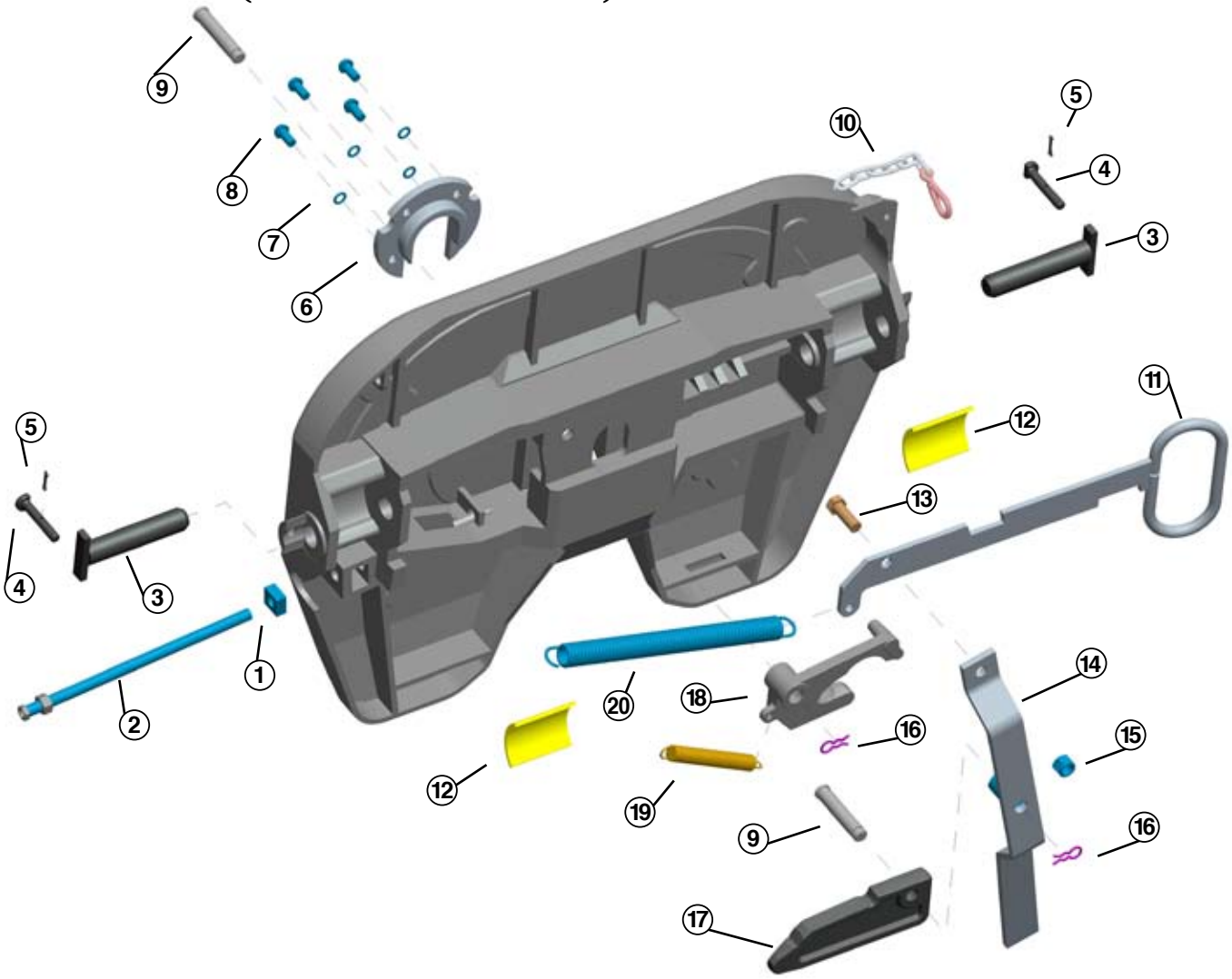


Illustration SLTPL3000

## The Fontaine TechLock® System

Superior Technology Delivers  
Superior Locking Performance

# 3000 SERIES KITS

Item No.	Description	Part Number	Quantity
①	Adjustment Rod Nut, M16 Square	*	(1)
②	Adjustment Rod	*	(1)
③	Bracket Pin	PIN-3000	(2)
④	Bracket Retainer Pin	PIN-124P	(2)
⑤	Cotter Pin	PIN-165*	(2)
⑥	Wear Ring	*	(1)
⑦	Flat Washer, M12	*	(4)
⑧	Hex Socket Button Head Screw, M12X25MM	*	(4)
⑨	Pivot Pin	*	(2)
⑩	Security Clip	CLIP-3000	(1)
⑪	Pull Handle	*	(1)
⑫	Bracket Liners	LNR-3000	(2)
⑬	Hex Head Bolt, M16 X 45MM	*	(1)
⑭	Operating Handle	*	(1)
⑮	Nylok Nut, M16	*	(1)
⑯	Pivot Pin Clip	*	(2)
⑰	Locking Wedge	*	(1)
⑱	Rotating Locking Jaw	*	(1)
⑲	Jaw Spring	*	(1)
⑳	Main Spring	*	(1)
<small>Not Pictured</small>	Bracket Bushings	BSH-3000	(2)

Note: Available left side (driver's side) only. \* Only available in a Fontaine Parts Kit

# FFW Genuine KITS

Item No.	Description	Quantity
<b>KIT-OPR-3000L</b>		
3000 Series Operating Handle Kit		
13	Hex Head Bolt	1
14	Operating Handle	1
15	Nylok Nut	1
<b>KIT-PIN-3000</b>		
3000 Series Pin Kit		
3	Bracket Retainer Pin	2
4	Bracket Pin	2
5	Cotter Pin	2
<small>Not Pictured</small>	Bracket Bushings	2
<b>KIT-PUL-3000</b>		
3000 Pull Handle Kit		
11	Pull Handle	1
13	Hex Head Bolt	1
15	Nylok Nut	1
<b>KIT-RING-3000</b>		
3000 Wear Ring Kit		
6	Wear Ring	1
7	Flat Washer	4
8	Hex Socket Button Head Screw	4
<b>KIT-ROD-3000</b>		
3000 Adjustment Rod Kit		
1	Adjustment Rod Nut	1
2	Adjustment Rod	1
<b>KIT-RPR-3000L</b>		
3000 Repair Kit		
9	Pivot Pin	2
16	Pivot Pin Clip	2
17	Locking Wedge	1
18	Rotating Locking Jaw	1
19	Jaw Spring	1
20	Main Spring	1

## KIT-RPR-3000L



## KIT-RING-3000





World Wide Headquarters • Fontaine International, Inc. • 5000 Grantswood Road • Suite 200 • Irondale, Alabama 35210  
800-874-9780 • Fax: 205-421-4400

[www.fifthwheel.com](http://www.fifthwheel.com)