



**FONTAINE**<sup>®</sup>  
FIFTH WHEEL

# HEAVY/SEVERE-DUTY MINI CATALOG

Your only source for **NO-SLACK**<sup>®</sup> technology



We make it **EASY**



[www.fifthwheel.com](http://www.fifthwheel.com)

# Part Number Identification

This guide explains the nomenclature for Fontaine Fifth Wheel complete assembly part numbers.

See example part number at right:

**SL7HDS800012**



**Release**

**SL** = Side left  
**AA** = Air actuated (7000 option only)

**Top plate model**

**7** = No-Slack® 7000  
**H7** = No-Slack® H7

**Mounting Bracket model**

**HDS** = No-tilt ready\* outboard slide  
**NHDS** = No-tilt outboard slide  
**HDI** = No-tilt ready\* inboard slide  
**NHDI** = No-tilt inboard slide  
**PMH** = No-tilt ready\* stationary plate  
**NPMH** = No-tilt stationary plate  
**PMX** = No-tilt ready\* stationary plate  
**NPMX** = No-tilt stationary plate

\*You can convert HDS, HDI, PMH and PMX to no-tilt with easy install KIT-NO-TILT.

**Mounting height**

**8000** = 8"  
Actual height from truck frame to top of fifth wheel.

Examples:

7125 = 7-1/8"  
8000 = 8"  
8500 = 8-1/2"  
8375 = 8-3/8"  
9750 = 9-3/4"

**Slide travel**

**12** = 12" slide  
Sliding fifth wheels only.

Examples:

12 = 12" slide  
24 = 24" slide  
36 = 36" slide  
48 = 48" slide  
60 = 60" slide  
72 = 72" slide

**No-Slack® 7000 series**

55,000 lbs vertical load  
Up to 140,000 lbs (63,5000 kgs) gross combination weight (GCW)

The 7000 series offers all the benefits of our 6000 series, but in a cast design. It features the self-adjusting No-Slack® locking mechanism. The 7000 series is rated for standard to heavy-duty applications with Up to 140,000 lbs (63,5000 kgs) Gross Combination Weight (GCW). Some restrictions may apply. Scan QR code on page 3 to view LT-076 application guide on website for details.

**No-Slack® H7 series**

70,000 lbs vertical load  
Up to 180,000 lbs (81,000 kgs) gross combination weight (GCW)

The H7 Series offers all the benefits of No-Slack® technology in a steel reinforced cast housing. This rugged workhorse is rated for standard to severe-duty applications with up to 180,000 lbs (81,000 kgs) Gross Combination Weight (GCW). Some restrictions may apply. Scan QR code on page 3 to view LT-076 application guide on website for details.

## Fifth Wheel Top Plate Options



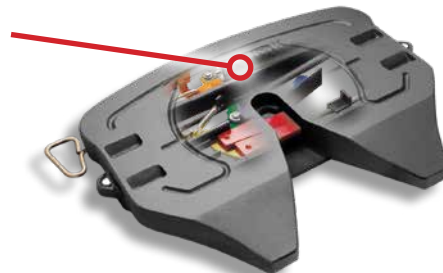
## No-Slack® Air Release Option

**Air Actuated**

Fontaine's air actuated No-Slack® fifth wheels open with a release valve located on the dash. (7000 only)

Specify "AA"

Air actuated models include an air cylinder



# Duty Class Restrictions

With the Fontaine Fifth Wheel complete product line you can easily select the perfect fifth wheel for your application. We offer top plates and mounting options in a wide variety of sizes to handle even the most demanding applications.

To specify the right fifth wheel for your application two factors must be considered: load capacity and service conditions.

“Weight” refers to the amount of weight that a fifth wheel can handle. “Road type” refers to the operating environment and the type of equipment used in an application. “Travel type” refers to mileage between stops.

You don’t choose a top plate based on “weight” only. Consider service conditions because a heavy load pulled on a paved road places less stress on a fifth wheel than a lighter load pulled in severe off-highway conditions.

The duty class restriction chart at right and No-Slack® top plate options (page 2) can be used as a guide to help you select the right fifth wheel.

Fontaine has an application guide (LT-076) that can be obtained by scanning QR code below.

If you need further assistance contact Fontaine Fifth Wheel at: 800-874-9780.



Scan for application guide

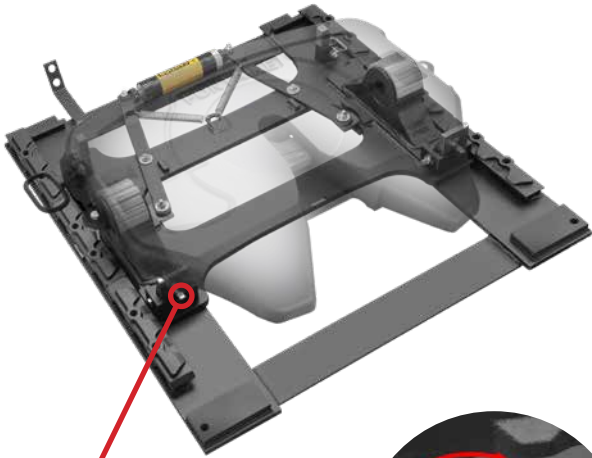
Heavy Duty	
<b>Weight:</b>	Less than equal to 140,000 lbs. (63,500 kg.) gross combination weight (GCW)"
<b>Road type:</b>	Less than 10% off-highway application on maintained concrete, asphalt, gravel or crushed rock roads
<b>Travel type:</b>	No minimum mileage between couples.
<b>Axle limitation:</b>	No axle limitations

Severe Duty	
<b>Weight:</b>	More than 140,000 lbs (63,500 kg.) gross combination weight (GCW)
<b>Road type:</b>	Any off-highway application on all road types including non-maintained roads
<b>Travel type:</b>	No minimum mileage between couples
<b>Axle limitation:</b>	No axle limitations
<b>Special applications:</b>	All logging, mining and oil field applications fall into this category regardless of anticipated weight, road type or number of axles

## Air Slide

### No-Slack® 7000/H7 HDS

### Heavy/Severe-Duty Slide **Outboard** Mounts



#### 7000

55,000 lbs vertical load

Up to 140,000 lbs (63,5000 kgs)  
gross combination weight (GCW)

#### H7

70,000 lbs vertical load

Up to 180,000 lbs (81,000 kgs)  
gross combination weight (GCW)

**NO-TILT** option for frame dump applications—simply flip the four levers on the mount to block the fifth wheel from rocking



#### Features

- **New** adjustable tilt/no-tilt slide assemblies
- Replaces Fontaine AWB sliding assemblies
- Easy to operate—Simply disengage four stops to switch from a no-tilt to a rocking fifth wheel. Quick. Easy. NO TOOLS.
- Built to take it—These robust fifth wheels handle the toughest loads with improved stability on the road and at the job site.
- Add flexibility to your fleet with these durable, convertible fifth wheel mounts—perfect for standard and frameless dump applications.
- An air cylinder drives a mechanical linkage to release the slide locking wedges

7000 HDS Part Number	H7 HDS Part Number (Add 70 lbs)	Fifth Wheel Height	Slide Length	7000 Weight
SL7HDS700012	SLH7HDS700012	7"	12"	492
SL7HDS800012	SLH7HDS800012	8"		499
SL7HDS900012	SLH7HDS900012	9"		508
SL7HDS1000012	SLH7HDS1000012	10"		518
SL7HDS700024	SLH7HDS700024	7"	24"	514
SL7HDS800024	SLH7HDS800024	8"		522
SL7HDS900024	SLH7HDS900024	9"		531
SL7HDS1000024	SLH7HDS1000024	10"		540
SL7HDS700036	SLH7HDS700036	7"	36"	544
SL7HDS800036	SLH7HDS800036	8"		552
SL7HDS900036	SLH7HDS900036	9"		561
SL7HDS1000036	SLH7HDS1000036	10"		570
SL7HDS700048	SLH7HDS700048	7"	48"	573
SL7HDS800048	SLH7HDS800048	8"		581
SL7HDS900048	SLH7HDS900048	9"		590
SL7HDS1000048	SLH7HDS1000048	10"		600
SL7HDS700060	SLH7HDS700060	7"	60"	595
SL7HDS800060	SLH7HDS800060	8"		603
SL7HDS900060	SLH7HDS900060	9"		612
SL7HDS1000060	SLH7HDS1000060	10"		622
SL7HDS700072	SLH7HDS700072	7"	72"	618
SL7HDS800072	SLH7HDS800072	8"		626
SL7HDS900072	SLH7HDS900072	9"		635
SL7HDS1000072	SLH7HDS1000072	10"		645

**No-Tilt:** To order with no-tilt hardware installed add **N** after plate code. Example: SL7NHDS800012. No-tilt hardware adds 8 lbs to assembly.



**Aftermarket No-Tilt Kit.** HDS mounts can be converted to no-tilt fifth wheels by ordering easy to install kit (part number **KIT-NO-TILT**). Same kit works for HDS, HDI, PMH or PMX mounts.

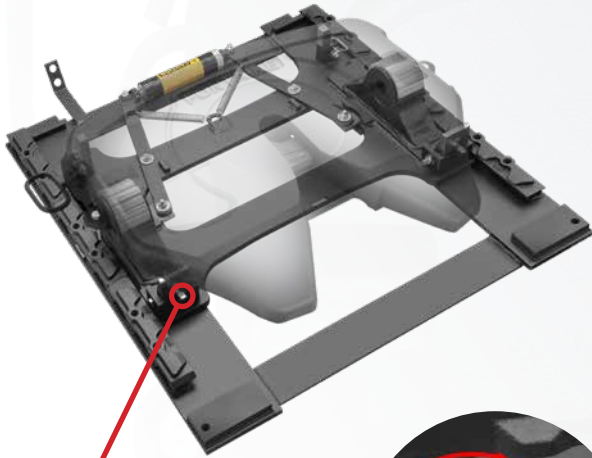
No-tilt mount kits are not available for 7" height fifth wheels.



Scan for no-tilt brochure

# Air Slide Assemblies

## Air Slide No-Slack® 7000/H7 HDI Heavy/Severe-Duty Slide **Inboard** Angle Mounts



**NO-TILT** option for frame dump applications—simply flip the four levers on the mount to block the fifth wheel from rocking



### Features

- **New** adjustable tilt/no-tilt slide assemblies
- Easy to operate—Simply disengage four stops to switch from a no-tilt to a rocking fifth wheel. Quick. Easy. **NO TOOLS.**
- Built to take it—These robust fifth wheels handle the toughest loads with improved stability on the road and at the job site.
- To order without no-tilt design
- Add flexibility to your fleet with these durable, convertible fifth wheel mounts—perfect for standard and frameless dump applications.
- An air cylinder drives a mechanical linkage to release the slide locking wedges



**7000**  
55,000 lbs vertical load  
Up to 140,000 lbs (52,000 kgs)  
gross combination weight (GCW)



**H7**  
70,000 lbs vertical load  
Up to 180,000 lbs (52,000 kgs)  
gross combination weight (GCW)

7000 HDI Part Number	H7 HDI Part Number (Add 70 lbs)	Fifth Wheel Height	Slide Length	7000 Weight
SL7HDI750012	SLH7HDI750012	7-1/2"	12"	525
SL7HDI850012	SLH7HDI850012	8-1/2"		533
SL7HDI950012	SLH7HDI950012	9-1/2"		542
SL7HDI1050012	SLH7HDI1050012	10-1/2"	24"	552
SL7HDI750024	SLH7HDI750024	7-1/2"		561
SL7HDI850024	SLH7HDI850024	8-1/2"		569
SL7HDI950024	SLH7HDI950024	9-1/2"	36"	578
SL7HDI1050024	SLH7HDI1050024	10-1/2"		588
SL7HDI750036	SLH7HDI750036	7-1/2"		596
SL7HDI850036	SLH7HDI850036	8-1/2"	48"	604
SL7HDI950036	SLH7HDI950036	9-1/2"		614
SL7HDI1050036	SLH7HDI1050036	10-1/2"		623
SL7HDI750048	SLH7HDI750048	7-1/2"	48"	632
SL7HDI850048	SLH7HDI850048	8-1/2"		640
SL7HDI950048	SLH7HDI950048	9-1/2"		649
SL7HDI1050048	SLH7HDI1050048	10-1/2"		659

**No-Tilt:** To order with no-tilt hardware installed add **N** after plate code. Example: SL7**N**HDI850012. No-tilt hardware adds 8 lbs to assembly.



**Aftermarket No-Tilt Kit.** HDI mounts can be converted to no-tilt fifth wheels by ordering easy to install kit (part number **KIT-NO-TILT**). Same kit works for HDS, HDI, PMH or PMX mounts.

No-tilt mount kits are not available for 7" height fifth wheels.

# Stationary Mount Assemblies

## Adjustable Stationary Mounts No-Slack® 7000/H7 PMH & PMX Heavy/Severe-Duty Stationary Mounts



**NO-TILT** option for frame dump applications—simply flip the four levers on the mount to block the fifth wheel from rocking



### Features

- **New** adjustable stationary tilt/no-tilt mount assemblies
- Easy to operate—Simply disengage four stops to switch from a no-tilt to a rocking fifth wheel. Quick. Easy. NO TOOLS.
- Built to take it—These robust fifth wheels handle the toughest loads with improved stability on the road and at the job site.
- Add flexibility to your fleet with these durable, convertible fifth wheel mounts—perfect for standard and frameless dump applications.
- Choice of two popular bolt patterns available; PMH and PMX.

### PMH (39-1/2" wide plate)



#### 7000

Up to 140,000 lbs (63,5000 kgs) gross combination weight (GCW)

55,000 pounds vertical load



#### H7

Up to 180,000 lbs (81,000 kgs) gross combination weight (GCW)

70,000 pounds vertical load

7000 PMH Part Number	H7 PMH Part Number (Add 70 lbs)	Fifth Wheel Height	Bolt Centers	7000 Weight
SL7PMH7500	SLH7PMH7500	7-1/2"	37-1/4"	387 lbs
SL7PMH8500	SLH7PMH8500	8-1/2"		396 lbs
SL7PMH9500	SLH7PMH9500	9-1/2"		406 lbs

**No-Tilt:** To order with no-tilt hardware installed add **N** after plate code. Example: SL7NPMH7500. No-tilt hardware adds 8 lbs to assembly.

PMH mounts can be converted to no-tilt fifth wheels in the field. See aftermarket kit photo and description below.

### PMX (40-1/2" wide plate)



#### 7000

Up to 140,000 lbs (63,5000 kgs) gross combination weight (GCW)

55,000 pounds vertical load



#### H7

Up to 180,000 lbs (81,000 kgs) gross combination weight (GCW)

70,000 pounds vertical load

7000 PMX Part Number	H7 PMX Part Number (Add 70 lbs)	Fifth Wheel Height	Bolt Centers	7000 Weight
SL7PMX7500	SLH7PMX7500	7-1/2"	38"	394 lbs
SL7PMX8500	SLH7PMX8500	8-1/2"		399 lbs
SL7PMX9500	SLH7PMX9500	9-1/2"		409 lbs

**No-Tilt:** To order with no-tilt hardware installed add **N** after plate code. Example: SL7NPMX7500. No-tilt hardware adds 8 lbs to assembly.



#### Aftermarket No-Tilt Kit.

PMH and PMX mounts can be converted to no-tilt fifth wheels by ordering easy to install kit (part number **KIT-NO-TILT**). Same kit works for HDS, HDI, PMH or PMX mounts.

# Helpful Information

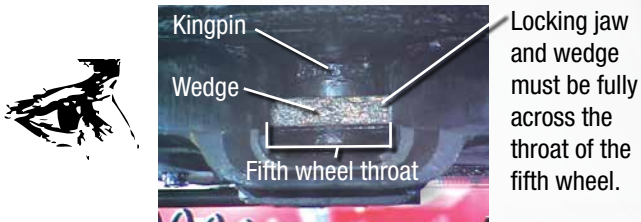
## How can I tell if my fifth wheel is properly locked?

Verify secure coupling with a “tug test”, by easing the tractor forward, with the trailer brakes on, to feel resistance of the load. Set the parking brakes on the tractor and trailer and get out of the tractor and visually inspect, using a flashlight, that the fifth wheel is properly closed.

**IMPORTANT: Improperly coupled fifth wheel may in some circumstances be able to pass a “tug test”. A visual inspection is always required.**

**The locking jaw and wedge must be fully across the throat of the fifth wheel, there must be no gap between the fifth wheel and the trailer plate, and the pull handle must be within 1” or less from the skirt of the fifth wheel. All three areas of the fifth wheel must be inspected to ensure that the fifth wheel is properly coupled.**

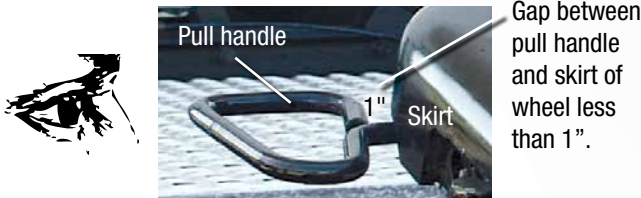
**Below are three critical areas of visual inspection that drivers must perform after every couple.**



Locking jaw and wedge must be fully across the throat of the fifth wheel.



No gap between trailer bottom and fifth wheel.



Gap between pull handle and skirt of wheel less than 1”.

**If the visual inspection indicates that you failed to obtain a proper couple, open the fifth wheel, inspect for damaged components, and repeat the coupling sequence.**

## What is the warranty coverage?

Fontaine’s warranty is for five years covering parts for material and workmanship. There are a few exceptions. See our existing warranty statement or call us at 800-874-9780 for more information.



Scan for warranty certificate



# FONTAINE ADVANCED DESIGN NO-TILT FIFTH WHEELS

Built tough and easy to operate



**FONTAINE**<sup>®</sup>  
FIFTH WHEEL

[www.fifthwheel.com](http://www.fifthwheel.com)

Get connected. Stay connected.

800-874-9780 • Email: [parts@fifthwheel.com](mailto:parts@fifthwheel.com)

A Marmon | Berkshire Hathaway Company

IMPORTANT – Read and follow all product instructions before installation, use, and performing maintenance. Instructions available at [www.fifthwheel.com](http://www.fifthwheel.com).

Get the app @ [FifthWheel.com/app](https://www.fifthwheel.com/app)

@FifthWheelParts

FontaineFifthWheel



©2022 Fontaine Fifth Wheel • LT-322-Apr 2022 R8