

# No-Slack® NT/6000/7000/7000CC

## No-Slack® Top Plate Kits

### Repair

#### Repair kit (KIT-RPR-6000L or R)

Item	Description	Qty.
⑥	Bumper spring	1
⑦	Handle spring	1
⑰	Timer spring	1
⑳	Step jaw	1
㉑	Wedge	1
⑩	Bushing, 7/16"	1
⑮	Bushing, 5/16"	1
⑲	Bushing, 1 1/4"	1
⑫	Hex lock nut, 1/2" - 13	3

#### Spring kit (KIT-SPRING)\*

⑥	Bumper spring	1
⑦	Handle spring	1
⑰	Timer spring	1

#### Wedge-stop rod kit (KIT-ROD-1108)\*

①	Wedge-stop rod nut	1
②	Flat washer, 5/8" I.D.	2
③	Wedge-stop rod spring	1
④	Wedge-stop rod	1
⑤	Cotter pin, 3/16" x 1"	1

#### Secondary lock kit (KIT-LAT-6000L)

⑦	Handle spring	1
⑧	Hex head bolt, 1/2" - 13	1
⑨	Flat washer, 1/2" I.D.	2
⑩	Bushing, 7/16"	1
⑪	Secondary lock	1
⑫	Hex lock nut, 1/2" - 13	1
⑤	Cotter pin, 3/16" x 1"	1

#### Pull handle kit (KIT-PUL-6000L or R)

⑬	Pull handle	1
⑭	Flat washer, 1/2" I.D.	1
⑤	Cotter pin, 3/16" x 1"	1

#### Bumper kit (KIT-BPR-6000L)

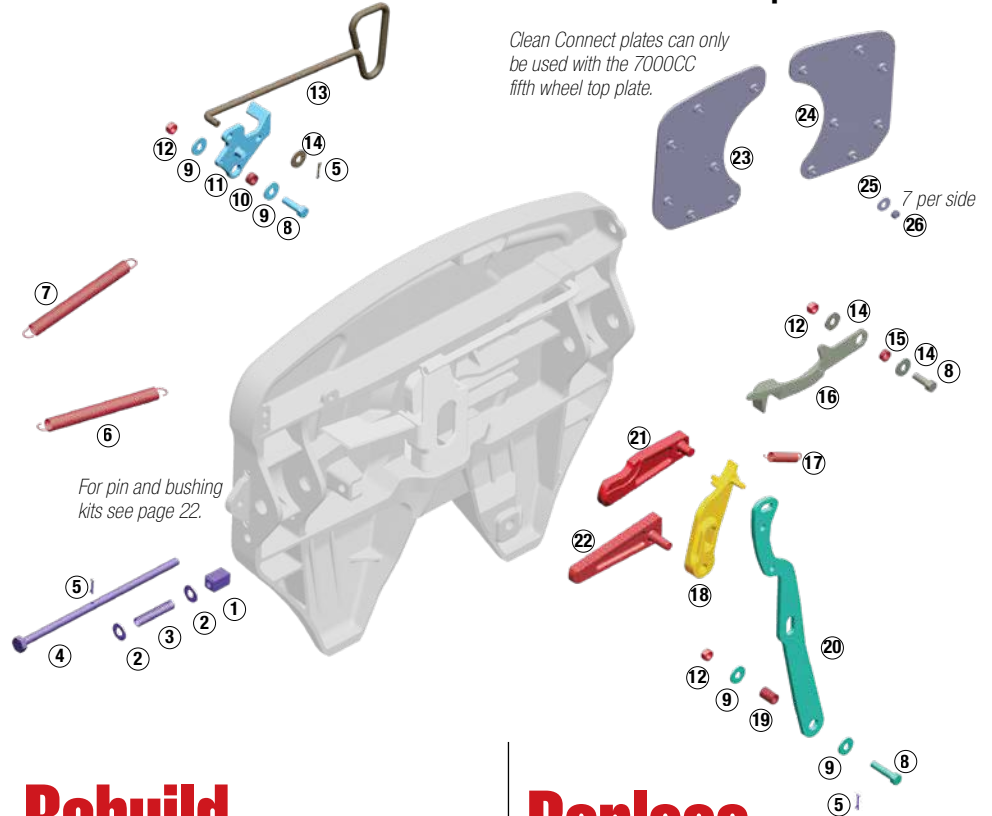
⑫	Hex lock nut, 1/2" - 13	1
⑭	Flat washer, 1/2" I.D.	2
⑮	Bushing	1
⑧	Hex head bolt, 1/2" - 13	1
⑯	Bumper	1
⑥	Bumper spring	1

#### Timer kit (KIT-TMR-6000L)

⑰	Timer spring	1
⑱	Timer	1
⑫	Hex lock nut, 1/2" - 13	1
⑤	Hair pin cotter	1

#### Operating handle kit (KIT-OPR-6000)\*

⑩	Bushing, 7/16"	1
⑮	Bushing, 5/16"	1
⑲	Bushing, 1 1/4"	1
⑫	Hex lock nut, 1/2" - 13	3
⑨	Flat washer, 1/2" I.D.	2
⑧	Hex head bolt, 1/2" - 13	1
⑳	Operating handle	1
⑤	Hair pin cotter	1



Clean Connect plates can only be used with the 7000CC fifth wheel top plate.

For pin and bushing kits see page 22.

### Rebuild

#### Part number: KIT-RX-67NTL

Major rebuild kit for left side (driver) handle release NT/6000/7000/7000CC.

Kit does not include bracket pins, bushings or Clean Connect plate kits.



#### Part number: KIT-RX-67NTR

Major rebuild kit for right side (passenger) handle release NT/6000/7000/7000CC.

Kit does not include bracket pins, bushings or Clean Connect plate kits.



#### 7000CC Options

Item	Description	Qty.
<b>Clean Connect plate kits (7000CC)</b>		
<b>(CCR-PLATES-R)</b>		
⑳	Right CC plate	1
㉑	Flat washer	7
㉒	Hex lock nut	7
<b>(CCR-PLATES-L)</b>		
㉑	Left CC plate	1
㉑	Flat washer	7
㉒	Hex lock nut	7

### Replace

Replace or upgrade your fifth wheel top plate.



**SLTPL7000** (Driver side)  
**AATPL7000** (Air Actuated)

**No-Slack® 7000 Cast**

Rated for moderate duty on both on-highway and off-highway applications



**SLTPL6000** (Driver side)  
**AATPL6000** (Air Actuated)

**No-Slack® 6000 Stamped Steel**

Rated for standard to moderate duty on-highway



**SLTPL7000CC** (Driver side)  
**AATPL7000CC** (Air Actuated)

**No-Slack® 7000CC Clean Connect Cast**

Rated for moderate duty for on-highway applications



**SLTPLUNT** (Driver side)

**No-Slack® NT Stamped Steel**

Rated for standard to moderate duty on-highway

SLTPLUNT replaces NT and 3000 models only.

For pin and bushing kits see pages 22.

\*Works for driver and passenger side models.

# No-Slack® NT/6000/7000/7000CC

## No-Slack® Top Plate Kits

### Repair

**Repair kit (Driver side: KIT-RPR-6000L,  
Passenger side: KIT-RPR-6000R)**



Item	Qty.
Bumper spring	1
Handle spring	1
Timer spring	1
Step jaw	1
Wedge	1
Bushing, 7/16"	1
Bushing, 5/16"	1
Bushing, 1 1/4"	1
Hex lock nut, 1/2" - 13	3

**Secondary lock kit (KIT-LAT-6000L)**



Item	Qty.
Handle spring	1
Hex head bolt, 1/2" - 13	1
Flat washer, 1/2" I.D.	2
Bushing, 7/16"	1
Secondary lock	1
Hex lock nut, 1/2" - 13	1
Cotter pin, 3/16" x 1"	1

**Pull handle kit (Driver side: KIT-PUL-6000L,  
Passenger side: KIT-RPR-6000R)**



Item	Qty.
Pull handle	1
Flat washer, 1/2" I.D.	1
Cotter pin, 3/16" x 1"	1

For H7 pull handle see page 8.

**Timer kit (KIT-TMR-6000L)**

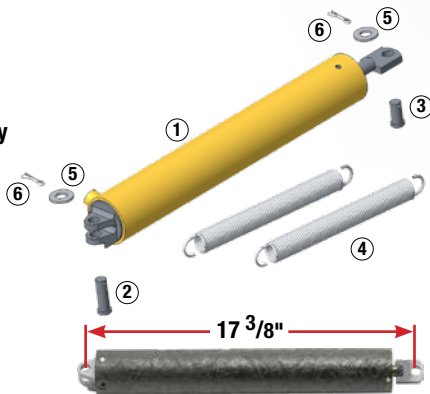


Item	Qty.
Timer spring	1
Timer	1
Hex lock nut, 1/2" - 13	1
Hair pin cotter	1

**Air actuated kit**

Part number:  
**KIT-AA-6000L**

Description	Quantity
① Air Cylinder	1
② Clevis Pin Long	1
③ Clevis Pin Short	1
④ Springs	2
⑤ Flat Washer 1/2"	2
⑥ Cotter Pin 5/32"	2



1/2" diameter holes

**Wedge-stop rod kit (KIT-ROD-1108)**



Item	Qty.
Wedge-stop rod nut	1
Flat washer, 5/8" I.D.	2
Wedge-stop rod spring	1
Wedge-stop rod	1
Cotter pin, 3/16" x 1"	1

**Spring kit (KIT-SPRING)**



Item	Qty.
Bumper spring	1
Handle spring	1
Timer spring	1

**Bumper kit (KIT-BPR-6000L)**



Item	Qty.
Hex lock nut, 1/2" - 13	1
Flat washer, 1/2" I.D.	2
Bushing	1
Hex head bolt, 1/2" - 13	1
Bumper	1
Bumper spring	1

**Operating handle kit (KIT-OPR-6000)**



For H7 operating handle see page 8.

Item	Qty.
Bushing, 7/16"	1
Bushing, 5/16"	1
Bushing, 1 1/4"	1
Hex lock nut, 1/2" - 13	3
Flat washer, 1/2" I.D.	2
Hex head bolt, 1/2" - 13	1
Operating handle	1
Hair pin cotter	1

Part number:  
**KITKPT**



*Test kingpin is an excellent tool for jaw and wedge adjustment (see page 26).*

**After a rebuild don't forget to properly adjust your fifth wheel. See page 26.**

