

TB-074 • November 2021

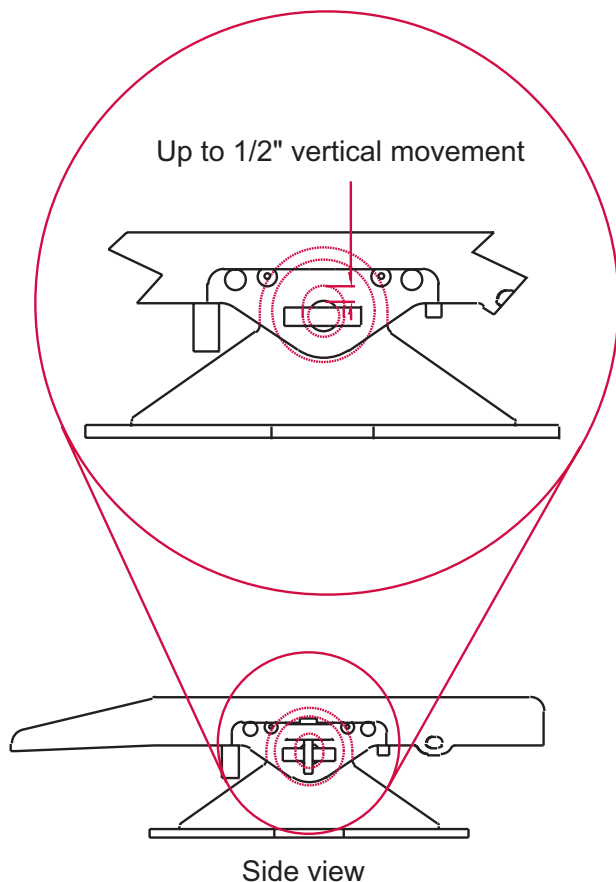
### Fifth Wheel and Bracket tolerance measurements

**Q**

How much vertical movement can I have between my fifth wheel plate and mounting plate?'

**A**

Up to 1/2" vertical movement is possible. This movement helps to reduce negative load stresses that can be harmful not only to the fifth wheel assembly, but to the truck frame also. This feature can only be found on Fontaine products.

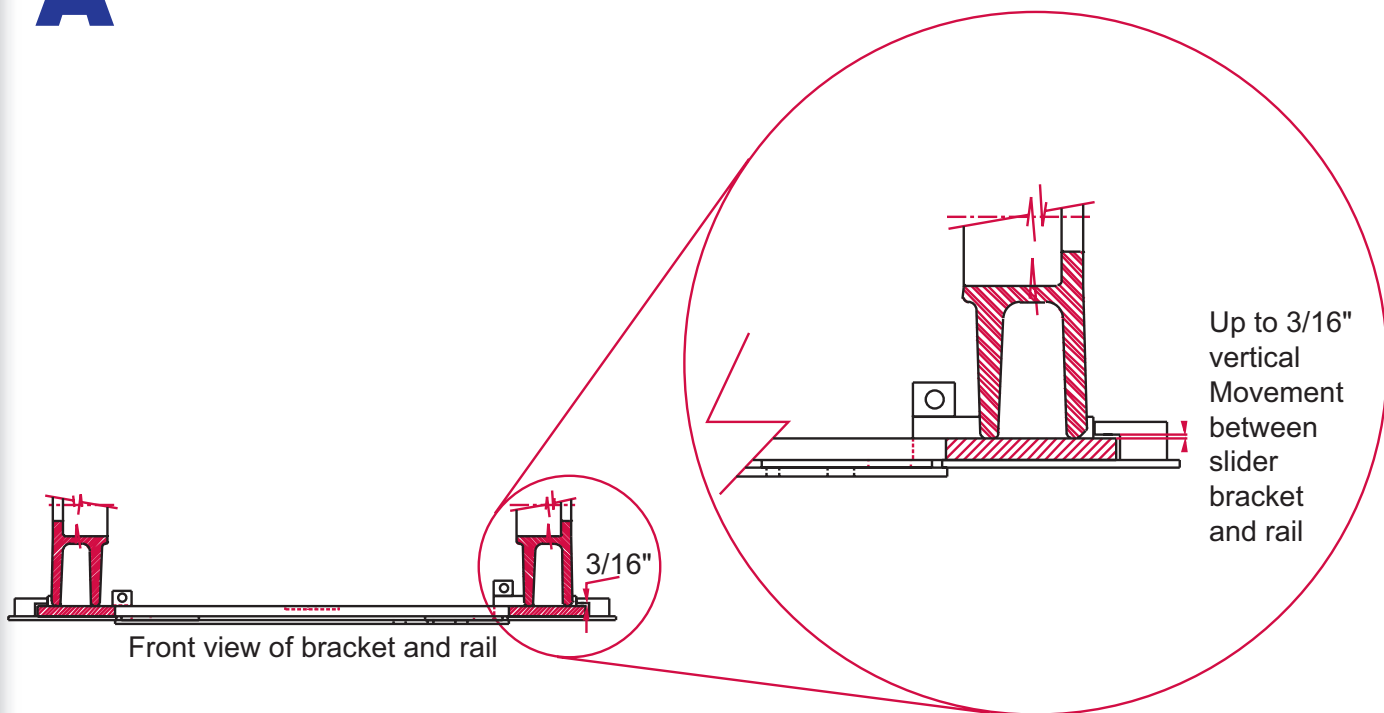


Note: Any movement beyond the specified dimension may be due to wear or other problem. Steps should be taken to determine the cause.

This dimension is to be used as a reference for service criteria only. For DOT out of service criteria, please consult the following website [www.cvsa.org](http://www.cvsa.org).

**Q** How much vertical movement can I have between my slide rail and slide bracket?

**A** Up to 3/16" vertical movement is possible.

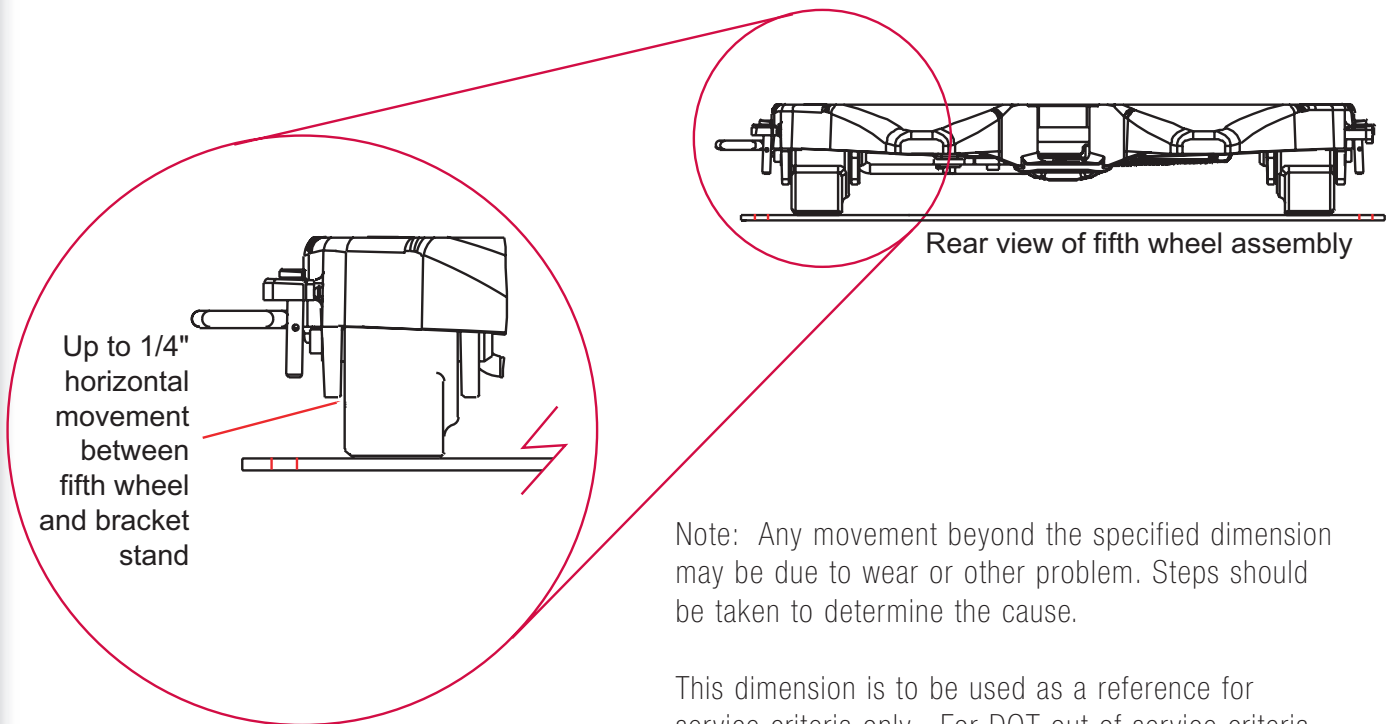


Note: Any movement beyond the specified dimension may be due to wear or other problem. Steps should be taken to determine the cause.

This dimension is to be used as a reference for service criteria only. For DOT out of service criteria, please consult the following website [www.cvsa.org](http://www.cvsa.org)

**Q** How much horizontal (side to side) movement can I have between my fifth wheel plate and mounting base?

**A** A. Up to 1/4" horizontal (side to side) movement is possible.



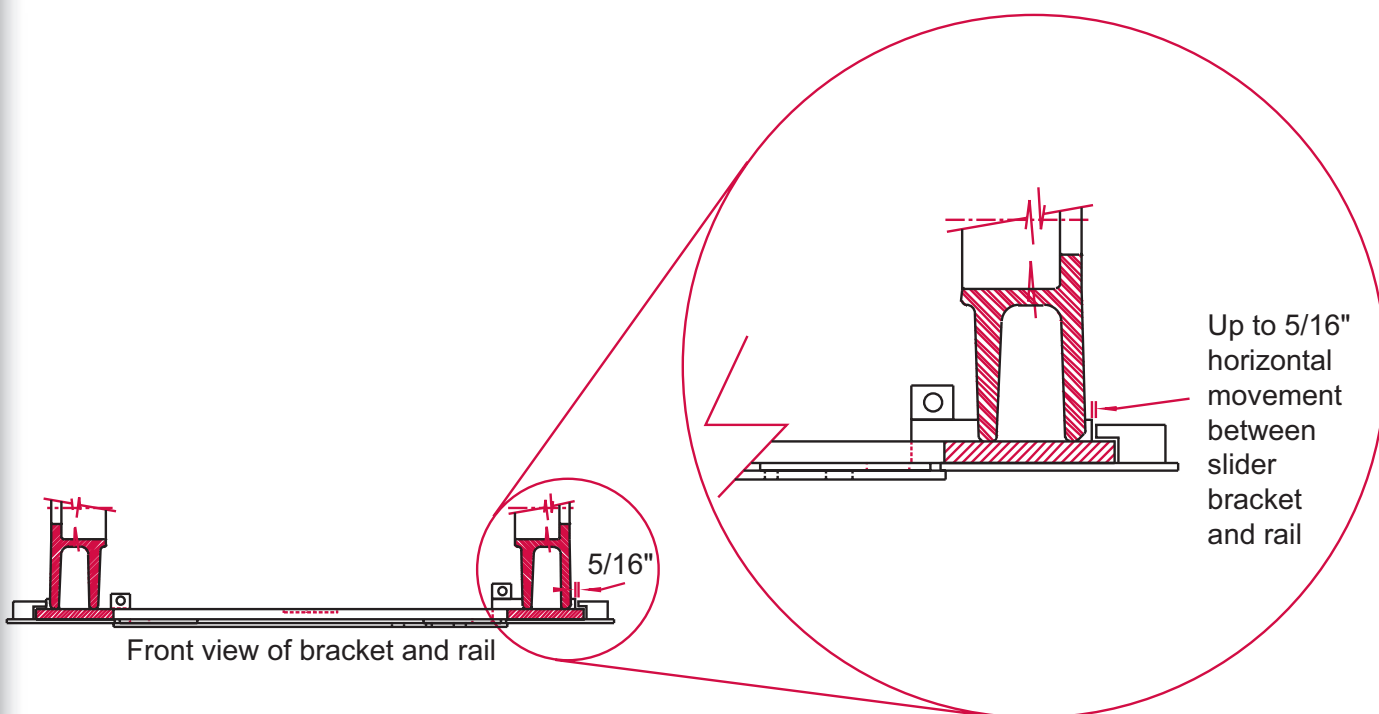
Rear view of fifth wheel assembly

Note: Any movement beyond the specified dimension may be due to wear or other problem. Steps should be taken to determine the cause.

This dimension is to be used as a reference for service criteria only. For DOT out of service criteria, please consult the following website [www.cvsa.org](http://www.cvsa.org)

**Q** How much horizontal (side to side) movement can I have between my slide rail and slide bracket?

**A** Up to 5/16" horizontal (side to side) movement is possible between the slide rail and slide bracket.



Note: Any movement beyond the specified dimension may be due to wear or other problem. Steps should be taken to determine the cause.

This dimension is to be used as a reference for service criteria only. For DOT out of service criteria, please consult the following website [www.cvsa.org](http://www.cvsa.org)