



FONTAINE[®]
FIFTH WHEEL

HEAVY/SEVERE-DUTY MINI CATALOG

Your only source for **NO-SLACK**[®] technology



We make it **EASY**



www.fifthwheel.com

Part Number Identification

This guide explains the nomenclature for Fontaine Fifth Wheel complete assembly part numbers.

See example part number at right:

SL7HDS800012



Release

SL = Side left
AA = Air actuated (7000 option only)

Top plate model

7 = No-Slack® 7000
H7 = No-Slack® H7

Mounting Bracket model

HDS = No-tilt ready* outboard slide
NHDS = No-tilt outboard slide
HDI = No-tilt ready* inboard slide
NHDI = No-tilt inboard slide
PMH = No-tilt ready* stationary plate
NPMH = No-tilt stationary plate
PMX = No-tilt ready* stationary plate
NPMX = No-tilt stationary plate

*You can convert HDS, HDI, PMH and PMX to no-tilt with easy install KIT-NO-TILT.

Mounting height

8000 = 8"
Actual height from truck frame to top of fifth wheel.

Examples:

7125 = 7-1/8"
8000 = 8"
8500 = 8-1/2"
8375 = 8-3/8"
9750 = 9-3/4"

Slide travel

12 = 12" slide
Sliding fifth wheels only.

Examples:

12 = 12" slide
24 = 24" slide
36 = 36" slide
48 = 48" slide
60 = 60" slide
72 = 72" slide

No-Slack® 7000 series

55,000 lbs vertical load
Up to 140,000 lbs (63,5000 kgs) gross combination weight (GCW)

The 7000 series offers all the benefits of our 6000 series, but in a cast design. It features the self-adjusting No-Slack® locking mechanism. The 7000 series is rated for standard to heavy-duty applications with Up to 140,000 lbs (63,5000 kgs) Gross Combination Weight (GCW). Some restrictions may apply. Scan QR code on page 3 to view LT-076 application guide on website for details.

No-Slack® H7 series

70,000 lbs vertical load
Up to 180,000 lbs (81,000 kgs) gross combination weight (GCW)

The H7 Series offers all the benefits of No-Slack® technology in a steel reinforced cast housing. This rugged workhorse is rated for standard to severe-duty applications with up to 180,000 lbs (81,000 kgs) Gross Combination Weight (GCW). Some restrictions may apply. Scan QR code on page 3 to view LT-076 application guide on website for details.

Fifth Wheel Top Plate Options



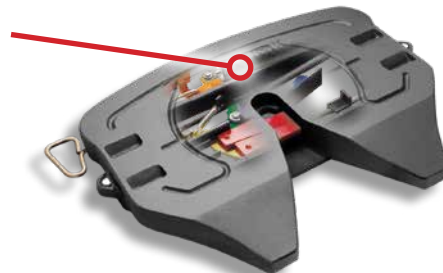
No-Slack® Air Release Option

Air Actuated

Fontaine's air actuated No-Slack® fifth wheels open with a release valve located on the dash. (7000 only)

Specify "AA"

Air actuated models include an air cylinder



Duty Class Restrictions

With the Fontaine Fifth Wheel complete product line you can easily select the perfect fifth wheel for your application. We offer top plates and mounting options in a wide variety of sizes to handle even the most demanding applications.

To specify the right fifth wheel for your application two factors must be considered: load capacity and service conditions.

“Weight” refers to the amount of weight that a fifth wheel can handle. “Road type” refers to the operating environment and the type of equipment used in an application. “Travel type” refers to mileage between stops.

You don’t choose a top plate based on “weight” only. Consider service conditions because a heavy load pulled on a paved road places less stress on a fifth wheel than a lighter load pulled in severe off-highway conditions.

The duty class restriction chart at right and No-Slack® top plate options (page 2) can be used as a guide to help you select the right fifth wheel.

Fontaine has an application guide (LT-076) that can be obtained by scanning QR code below.

If you need further assistance contact Fontaine Fifth Wheel at: 800-874-9780.



Scan for application guide

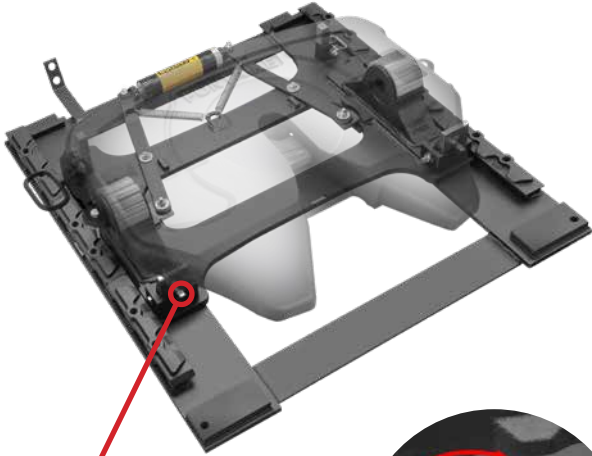
| Heavy Duty | |
|-------------------------|---|
| Weight: | Less than equal to 140,000 lbs. (63,500 kg.) gross combination weight (GCW)" |
| Road type: | Less than 10% off-highway application on maintained concrete, asphalt, gravel or crushed rock roads |
| Travel type: | No minimum mileage between couples. |
| Axle limitation: | No axle limitations |

| Severe Duty | |
|------------------------------|---|
| Weight: | More than 140,000 lbs (63,500 kg.) gross combination weight (GCW) |
| Road type: | Any off-highway application on all road types including non-maintained roads |
| Travel type: | No minimum mileage between couples |
| Axle limitation: | No axle limitations |
| Special applications: | All logging, mining and oil field applications fall into this category regardless of anticipated weight, road type or number of axles |

Air Slide

No-Slack® 7000/H7 HDS

Heavy/Severe-Duty Slide **Outboard** Mounts



7000

55,000 lbs vertical load

Up to 140,000 lbs (63,500 kgs)
gross combination weight (GCW)

H7

70,000 lbs vertical load

Up to 180,000 lbs (81,000 kgs)
gross combination weight (GCW)

NO-TILT option for frame dump applications—simply flip the four levers on the mount to block the fifth wheel from rocking



Features

- **New** adjustable tilt/no-tilt slide assemblies
- Replaces Fontaine AWB sliding assemblies
- Easy to operate—Simply disengage four stops to switch from a no-tilt to a rocking fifth wheel. Quick. Easy. NO TOOLS.
- Built to take it—These robust fifth wheels handle the toughest loads with improved stability on the road and at the job site.
- Add flexibility to your fleet with these durable, convertible fifth wheel mounts—perfect for standard and frameless dump applications.
- An air cylinder drives a mechanical linkage to release the slide locking wedges

| 7000 HDS Part Number | H7 HDS Part Number (Add 70 lbs) | Fifth Wheel Height | Slide Length | 7000 Weight |
|----------------------|---------------------------------|--------------------|--------------|-------------|
| SL7HDS700012 | SLH7HDS700012 | 7" | 12" | 492 |
| SL7HDS800012 | SLH7HDS800012 | 8" | | 499 |
| SL7HDS900012 | SLH7HDS900012 | 9" | | 508 |
| SL7HDS100012 | SLH7HDS100012 | 10" | | 518 |
| SL7HDS700024 | SLH7HDS700024 | 7" | 24" | 514 |
| SL7HDS800024 | SLH7HDS800024 | 8" | | 522 |
| SL7HDS900024 | SLH7HDS900024 | 9" | | 531 |
| SL7HDS100024 | SLH7HDS100024 | 10" | | 540 |
| SL7HDS700036 | SLH7HDS700036 | 7" | 36" | 544 |
| SL7HDS800036 | SLH7HDS800036 | 8" | | 552 |
| SL7HDS900036 | SLH7HDS900036 | 9" | | 561 |
| SL7HDS100036 | SLH7HDS100036 | 10" | | 570 |
| SL7HDS700048 | SLH7HDS700048 | 7" | 48" | 573 |
| SL7HDS800048 | SLH7HDS800048 | 8" | | 581 |
| SL7HDS900048 | SLH7HDS900048 | 9" | | 590 |
| SL7HDS100048 | SLH7HDS100048 | 10" | | 600 |
| SL7HDS700060 | SLH7HDS700060 | 7" | 60" | 595 |
| SL7HDS800060 | SLH7HDS800060 | 8" | | 603 |
| SL7HDS900060 | SLH7HDS900060 | 9" | | 612 |
| SL7HDS100060 | SLH7HDS100060 | 10" | | 622 |
| SL7HDS700072 | SLH7HDS700072 | 7" | 72" | 618 |
| SL7HDS800072 | SLH7HDS800072 | 8" | | 626 |
| SL7HDS900072 | SLH7HDS900072 | 9" | | 635 |
| SL7HDS100072 | SLH7HDS100072 | 10" | | 645 |

No-Tilt: To order with no-tilt hardware installed add **N** after fifth wheel code. Example: SL7**N**HDS800012. No-tilt hardware adds 8 lbs to assembly.



Aftermarket No-Tilt Kit. HDS mounts can be converted to no-tilt fifth wheels by ordering easy to install kit (part number **KIT-NO-TILT**). Same kit works for HDS, HDI, PMH or PMX mounts.

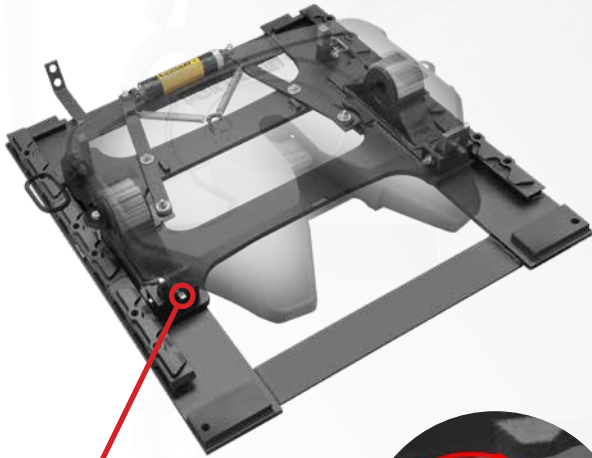
No-tilt mount kits are not available for 7" height fifth wheels.



Scan for no-tilt brochure

Air Slide Assemblies

Air Slide No-Slack® 7000/H7 HDI Heavy/Severe-Duty Slide Inboard Angle Mounts



NO-TILT option for frame dump applications—simply flip the four levers on the mount to block the fifth wheel from rocking



7000
55,000 lbs vertical load
Up to 140,000 lbs (52,000 kgs)
gross combination weight (GCW)



H7
70,000 lbs vertical load
Up to 180,000 lbs (52,000 kgs)
gross combination weight (GCW)

| 7000 HDI Part Number | H7 HDI Part Number (Add 70 lbs) | Fifth Wheel Height | Slide Length | 7000 Weight |
|----------------------|---------------------------------|--------------------|--------------|-------------|
| SL7HDI750012 | SLH7HDI750012 | 7-1/2" | 12" | 525 |
| SL7HDI850012 | SLH7HDI850012 | 8-1/2" | | 533 |
| SL7HDI950012 | SLH7HDI950012 | 9-1/2" | | 542 |
| SL7HDI1050012 | SLH7HDI1050012 | 10-1/2" | | 552 |
| SL7HDI750024 | SLH7HDI750024 | 7-1/2" | 24" | 561 |
| SL7HDI850024 | SLH7HDI850024 | 8-1/2" | | 569 |
| SL7HDI950024 | SLH7HDI950024 | 9-1/2" | | 578 |
| SL7HDI1050024 | SLH7HDI1050024 | 10-1/2" | 36" | 588 |
| SL7HDI750036 | SLH7HDI750036 | 7-1/2" | | 596 |
| SL7HDI850036 | SLH7HDI850036 | 8-1/2" | | 604 |
| SL7HDI950036 | SLH7HDI950036 | 9-1/2" | | 614 |
| SL7HDI1050036 | SLH7HDI1050036 | 10-1/2" | 48" | 623 |
| SL7HDI750048 | SLH7HDI750048 | 7-1/2" | | 632 |
| SL7HDI850048 | SLH7HDI850048 | 8-1/2" | | 640 |
| SL7HDI950048 | SLH7HDI950048 | 9-1/2" | | 649 |
| SL7HDI1050048 | SLH7HDI1050048 | 10-1/2" | | 659 |

No-Tilt: To order with no-tilt hardware installed add **N** after fifth wheel code. Example: SL7**N**HDI850012. No-tilt hardware adds 8 lbs to assembly.



Aftermarket No-Tilt Kit. HDI mounts can be converted to no-tilt fifth wheels by ordering easy to install kit (part number **KIT-NO-TILT**). Same kit works for HDS, HDI, PMH or PMX mounts.

No-tilt mount kits are not available for 7" height fifth wheels.

Features

- **New** adjustable tilt/no-tilt slide assemblies
- Easy to operate—Simply disengage four stops to switch from a no-tilt to a rocking fifth wheel. Quick. Easy. **NO TOOLS.**
- Built to take it—These robust fifth wheels handle the toughest loads with improved stability on the road and at the job site.
- Add flexibility to your fleet with these durable, convertible fifth wheel mounts—perfect for standard and frameless dump applications.
- An air cylinder drives a mechanical linkage to release the slide locking wedges

Note: HDI and NHDI (No-Tilt) inboard slide models are first fit assemblies only and are not available through the Fontaine Fifth Wheel aftermarket at this time.

Stationary Mount Assemblies

Adjustable Stationary Mounts No-Slack® 7000/H7 **PMH** & **PMX** Heavy/Severe-Duty **Stationary** Mounts



NO-TILT option for frame dump applications—simply flip the four levers on the mount to block the fifth wheel from rocking

Features

- **New** adjustable stationary tilt/no-tilt mount assemblies
- Easy to operate—Simply disengage four stops to switch from a no-tilt to a rocking fifth wheel. Quick. Easy. **NO TOOLS.**
- Built to take it—These robust fifth wheels handle the toughest loads with improved stability on the road and at the job site.
- Add flexibility to your fleet with these durable, convertible fifth wheel mounts—perfect for standard and frameless dump applications.
- Choice of two popular bolt patterns available; PMH and PMX.

PMH (39-1/2" wide plate)



7000

Up to 140,000 lbs (63,500 kgs) gross combination weight (GCW)

55,000 pounds vertical load



H7

Up to 180,000 lbs (81,000 kgs) gross combination weight (GCW)

70,000 pounds vertical load

| 7000 PMH Part Number | H7 PMH Part Number (Add 70 lbs) | Fifth Wheel Height | Bolt Centers | 7000 Weight |
|----------------------|---------------------------------|--------------------|--------------|-------------|
| SL7PMH7500 | SLH7PMH7500 | 7-1/2" | 37-1/4" | 387 lbs |
| SL7PMH8500 | SLH7PMH8500 | 8-1/2" | | 396 lbs |
| SL7PMH9500 | SLH7PMH9500 | 9-1/2" | | 406 lbs |

No-Tilt: To order with no-tilt hardware installed add **N** after fifth wheel code. Example: SL7**N**PMH7500. No-tilt hardware adds 8 lbs to assembly.

PMH mounts can be converted to no-tilt fifth wheels in the field. See aftermarket kit photo and description below.

PMX (40-1/2" wide plate)



7000

Up to 140,000 lbs (63,500 kgs) gross combination weight (GCW)

55,000 pounds vertical load



H7

Up to 180,000 lbs (81,000 kgs) gross combination weight (GCW)

70,000 pounds vertical load

| 7000 PMX Part Number | H7 PMX Part Number (Add 70 lbs) | Fifth Wheel Height | Bolt Centers | 7000 Weight |
|----------------------|---------------------------------|--------------------|--------------|-------------|
| SL7PMX7500 | SLH7PMX7500 | 7-1/2" | 38" | 394 lbs |
| SL7PMX8500 | SLH7PMX8500 | 8-1/2" | | 399 lbs |
| SL7PMX9500 | SLH7PMX9500 | 9-1/2" | | 409 lbs |

No-Tilt: To order with no-tilt hardware installed add **N** after fifth wheel code. Example: SL7**N**PMX7500. No-tilt hardware adds 8 lbs to assembly.



Aftermarket No-Tilt Kit.

PMH and PMX mounts can be converted to no-tilt fifth wheels by ordering easy to install kit (part number **KIT-NO-TILT**). Same kit works for HDS, HDI, PMH or PMX mounts.

Helpful Information

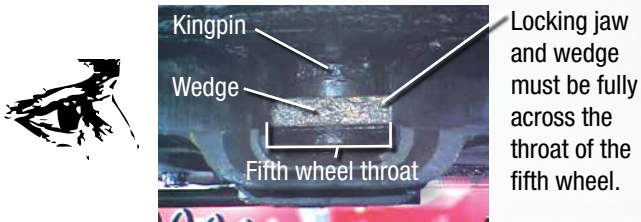
How can I tell if my fifth wheel is properly locked?

Verify secure coupling with a “tug test”, by easing the tractor forward, with the trailer brakes on, to feel resistance of the load. Set the parking brakes on the tractor and trailer and get out of the tractor and visually inspect, using a flashlight, that the fifth wheel is properly closed.

IMPORTANT: Improperly coupled fifth wheel may in some circumstances be able to pass a “tug test”. A visual inspection is always required.

The locking jaw and wedge must be fully across the throat of the fifth wheel, there must be no gap between the fifth wheel and the trailer plate, and the pull handle must be within 1” or less from the skirt of the fifth wheel. All three areas of the fifth wheel must be inspected to ensure that the fifth wheel is properly coupled.

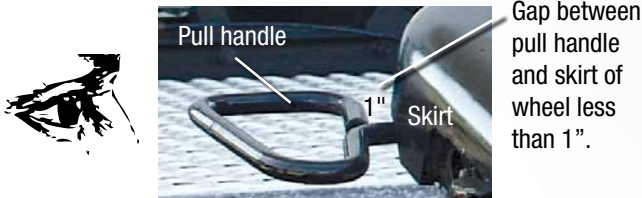
Below are three critical areas of visual inspection that drivers must perform after every couple.



Locking jaw and wedge must be fully across the throat of the fifth wheel.



No gap between trailer bottom and fifth wheel.



Gap between pull handle and skirt of wheel less than 1”.

If the visual inspection indicates that you failed to obtain a proper couple, open the fifth wheel, inspect for damaged components, and repeat the coupling sequence.

What is the warranty coverage?

Fontaine’s warranty is for five years covering parts for material and workmanship. There are a few exceptions. See our existing warranty statement or call us at 800-874-9780 for more information.



Scan for warranty certificate



FONTAINE ADVANCED DESIGN NO-TILT FIFTH WHEELS

Built tough and easy to operate



FONTAINE[®]
FIFTH WHEEL

www.fifthwheel.com

Get connected. Stay connected.

800-874-9780 • Email: parts@fifthwheel.com

A Marmon | Berkshire Hathaway Company

Get the app @ FifthWheel.com/app

@FifthWheelParts

FontaineFifthWheel



IMPORTANT – Read and follow all product instructions before installation, use, and performing maintenance. Instructions available at www.fifthwheel.com.

©2023 Fontaine Fifth Wheel • LT-322-January 2023 R11