

No-Slack® 5007 Retractable Handle Top Plate – Early Model

SLTPL5007 (Left Side Release Only)

Identify Early Models by this pull handle.

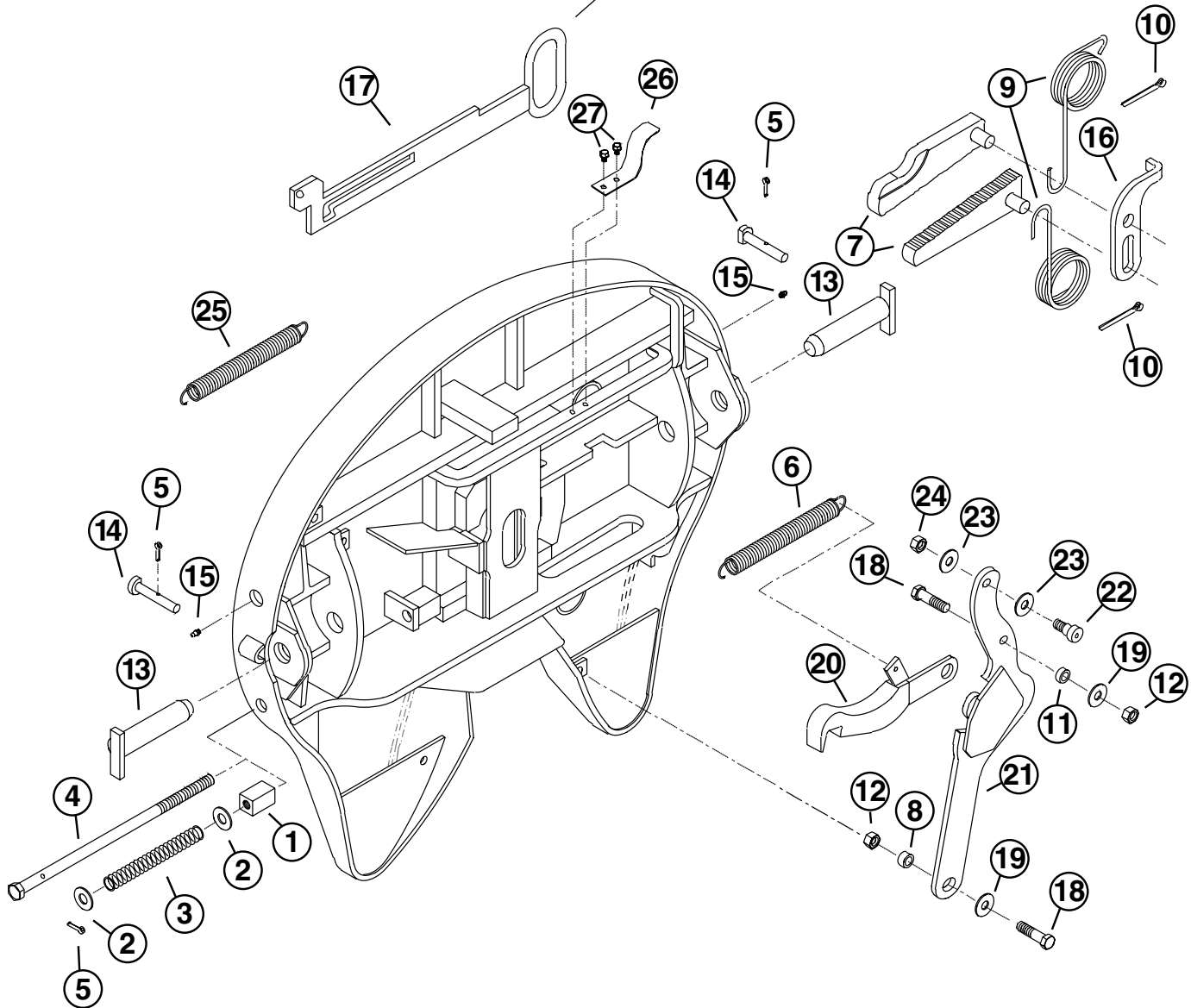


Illustration SLTPL5007EM

The Fontaine TechLock® System

Superior Technology Delivers
Superior Locking Performance

No-Slack® 5007 Retractable Handle Top Plate – Early Model

Item No.	Description	Part Number	Quantity
①	Wedge Stop Rod Nut	NUT-319	1
②	Flat Washer, 5/8", Plain	WSH-304-5	2
③	Wedge Stop Rod Spring	SPR-317	1
④	Wedge Stop Rod	ROD-1108	1
⑤	Cotter Pin, 3/16"x1"	PIN-165	3
⑥	Bumper Spring	SPR-128	1
⑦	Step Jaw and Wedge Set	WED-200-L	1
⑧	Bushing, 7/16"	BSH-115	1
⑨	Jaw and Wedge Spring Set	SPR-137-138	1
⑩	Cotter Pin, 1/4" x 3"	PIN-95	2
⑪	Bushing, 5/16"	BSH-629	1
⑫	Hex Lock Nut, 1/2"-13, Grade "C"	NUT-303-9	2
⑬	Bracket Pin	PIN -191P	2
⑭	Bracket Retainer Pin	PIN -124P	2
⑮	Grease Fitting	MSC-375	2
⑯	Timer	TMR-134-L	1
⑰	Pull Handle	PUL-5007	1
⑱	Hex Head Bolt, 1/2" - 13 x 2", Grade 5	BLT-302-15	2
⑲	Flat Washer, 1/2" I.D. 1-3/8" O.D., Plain	WSH-304-4	7
⑳	Bumper	BPR-131-L	1
㉑	Operating Handle	OPR-5007-SL	1
㉒	Shoulder Bolt, 5/8"x1-1/4" w/ 1/2"- 13, Grade 5	BLT-313	1
㉓	Flat Washer, 5/8"	WSH-304-16	2
㉔	Hex Jam Nut, 1/2" - 13, Grade "B"	NUT-303-6	1
㉕	Handle Spring	SPR-338	1
㉖	Leaf Spring	SPR-569	1
㉗	Self Tapping Screw, 1/4" - 20 x 3/8"	SCR-425	2

Item No.	Description	Quantity
KIT-BPR-131-L		
5000 Series Bumper Kit		
6	Bumper Spring	1
8	Bushing, 7/16"	1
11	Bushing, 5/16"	1
12	Hex Lock Nut, 1/2" - 13	2
18	Hex Head Bolt, 1/2" - 13	1
19	Flat Washer, 1/2" I.D.	2
20	Bumper	1
KIT-PIN-UNVL		
Universal Series Pin and Bushing Kit		
5	Cotter Pin, 3/16" x 1"	2
13	Bracket Pin	2
14	Bracket Retainer Pin	2
Not Pictured	Bracket Bushing (pr.)	1
KIT-RPR-5092L		
5092 Repair Kit		
6	Bumper Spring	1
7	Step Jaw and Wedge Set	1
8	Bushing, 7/16"	1
9	Jaw and Wedge Spring Set	1
10	Cotter Pin, 1/4" x 3"	1
11	Bushing, 5/16"	1
12	Hex Lock Nut, 1/2" - 13	3
KIT-ROD-1108		
Wedge Stop Rod Kit		
1	Wedge Stop Rod Nut	1
2	Flat Washer, 5/8"	2
3	Wedge Stop Rod Spring	1
4	Wedge Stop Rod	1
5	Cotter Pin, 3/16" x 1"	1
KIT-TMR-134L		
5000 Series Timer Kit		
8	Bushing	1
11	Bushing	1
12	Hex Lock Nut, 1/2" - 13	2
16	Timer	1

No-Slack® 5007 Retractable Handle Top Plate – Later Model

SLTPL5007 (Left Side Release Only)

Identify Later Models by this pull handle.

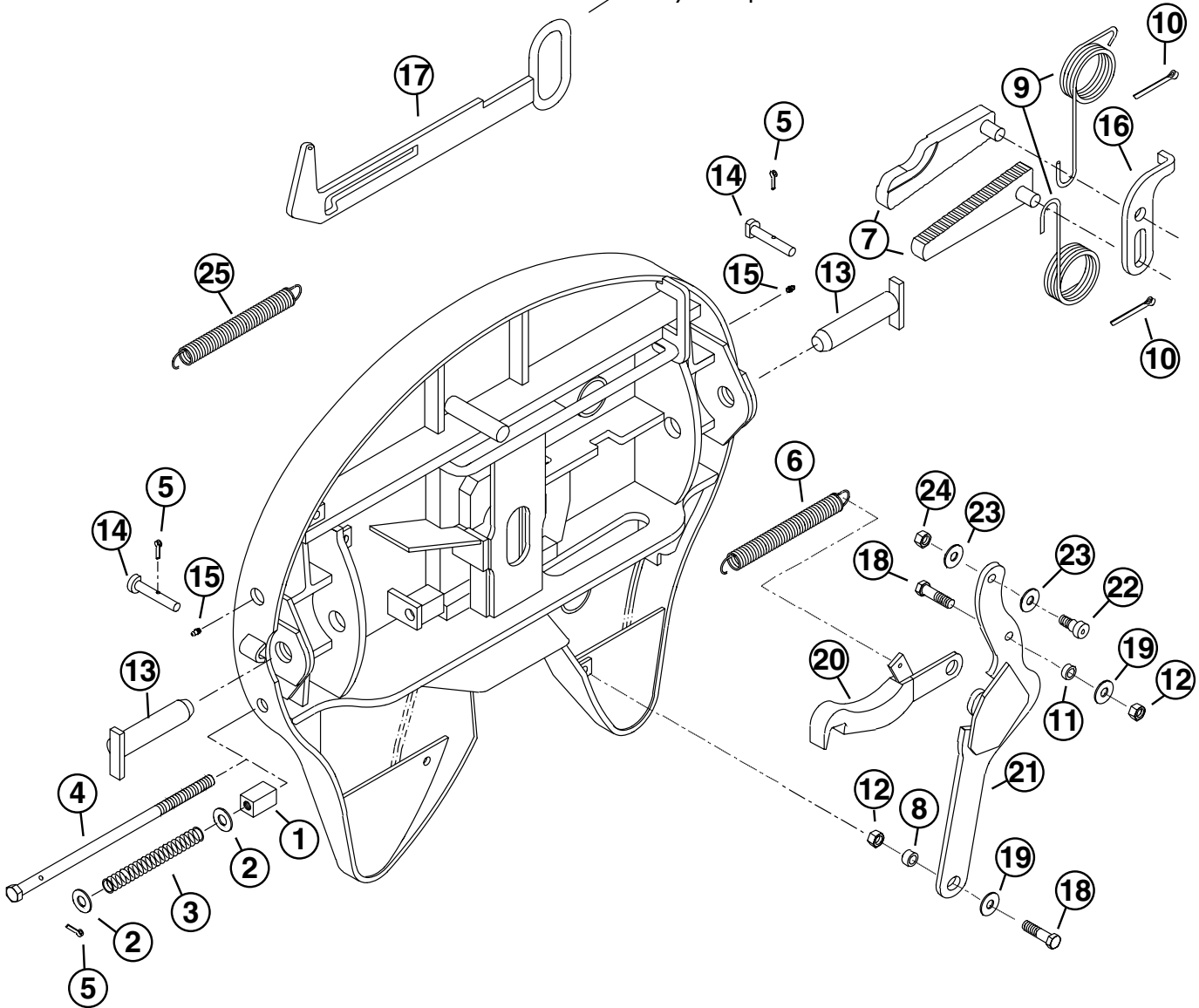


Illustration SLTPL5007LM

The Fontaine TechLock® System

Superior Technology Delivers
Superior Locking Performance

No-Slack® 5007 Retractable Handle Top Plate – Later Model

Item No.	Description	Part Number	Quantity
①	Wedge Stop Rod Nut	NUT-319	1
②	Flat Washer, 5/8", Plain	WSH-304-5	2
③	Wedge Stop Rod Spring	SPR-317	1
④	Wedge Stop Rod	ROD-1108	1
⑤	Cotter Pin, 3/16"x1"	PIN-165	3
⑥	Bumper Spring	SPR-128	1
⑦	Step Jaw and Wedge Set	WED-200-L	1
⑧	Bushing, 7/16"	BSH-115	1
⑨	Jaw and Wedge Spring Set	SPR-137-138	1
⑩	Cotter Pin, 1/4" x 3"	PIN-95	2
⑪	Bushing, 5/16"	BSH-629	1
⑫	Hex Lock Nut, 1/2"-13, Grade "C"	NUT-303-9	2
⑬	Bracket Pin	PIN -191P	2
⑭	Bracket Retainer Pin	PIN -124P	2
⑮	Grease Fitting	MSC-375	2
⑯	Timer	TMR-134-L	1
⑰	Pull Handle	PUL-5007B	1
⑱	Hex Head Bolt, 1/2" - 13 x 2", Grade 5	BLT-302-15	2
⑲	Flat Washer, 1/2" I.D. 1-3/8" O.D., Plain	WSH-304-4	7
⑳	Bumper	BPR-131-L	1
㉑	Operating Handle	OPR-5007-SL	1
㉒	Shoulder Bolt, 5/8"x1-1/4" w/ 1/2" - 13, Grade 5	BLT-313	1
㉓	Flat Washer, 5/8", Stainless Steel	WSH-304-16	2
㉔	Hex Jam Nut, 1/2" - 13, Grade "B"	NUT-303-6	1
㉕	Handle Spring	SPR-338	1

Item No.	Description	Quantity
KIT-BPR-131-L		
5000 Series Bumper Kit		
6	Bumper Spring	1
8	Bushing, 7/16"	1
11	Bushing, 5/16"	1
12	Hex Lock Nut, 1/2" - 13	2
18	Hex Head Bolt, 1/2" - 13	1
19	Flat Washer, 1/2" I.D.	2
20	Bumper	1
KIT-PIN-UNVL		
Universal Series Pin and Bushing Kit		
5	Cotter Pin, 3/16" x 1"	2
13	Bracket Pin	2
14	Bracket Retainer Pin	2
Not Pictured	Bracket Bushing (pr.)	1
KIT-RPR-5092L		
5092 Repair Kit		
6	Bumper Spring	1
7	Step Jaw and Wedge Set	1
8	Bushing, 7/16"	1
9	Jaw and Wedge Spring Set	1
10	Cotter Pin, 1/4" x 3"	1
11	Bushing, 5/16"	1
12	Hex Lock Nut, 1/2" - 13	3
KIT-ROD-1108		
Wedge Stop Rod Kit		
1	Wedge Stop Rod Nut	1
2	Flat Washer, 5/8"	2
3	Wedge Stop Rod Spring	1
4	Wedge Stop Rod	1
5	Cotter Pin, 3/16" x 1"	1
KIT-TMR-134L		
5000 Series Timer Kit		
8	Bushing	1
11	Bushing	1
12	Hex Lock Nut, 1/2" - 13	2
16	Timer	1