

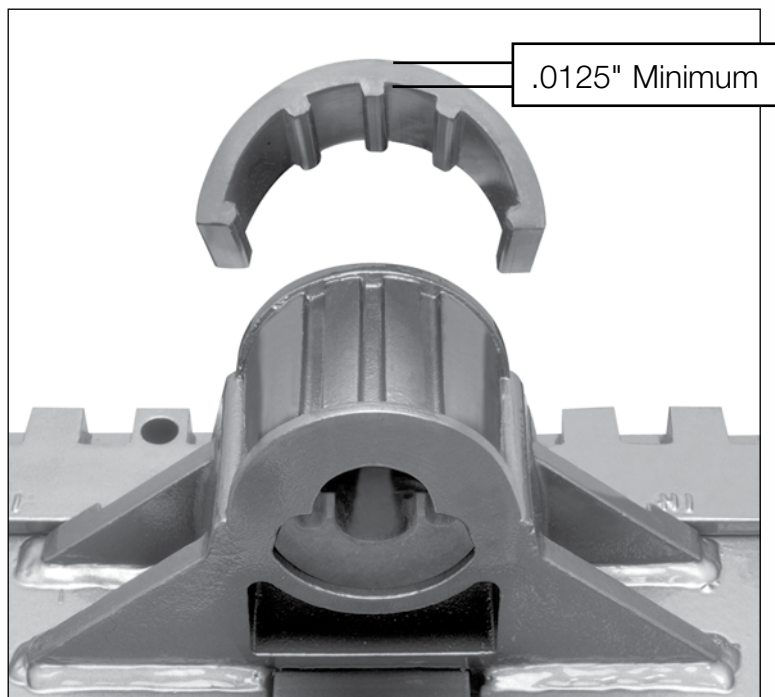
## Inspection & Installation Instructions

### Bracket Liner Replacement

Part Number LNR-BKT-107 (old Part # LNR-LWS)

#### Inspection Criteria:

1. Initial inspection of bracket liners should be made at 180,000 miles on standard application and at 120,000 miles with heavy-duty application and every 30,000 miles there after.
2. Bracket liners should be replaced when liner thickness measures 0.125" or less. Measurement should be made at the thinnest point of the bracket liner. This is typically at the top portion of the liner.

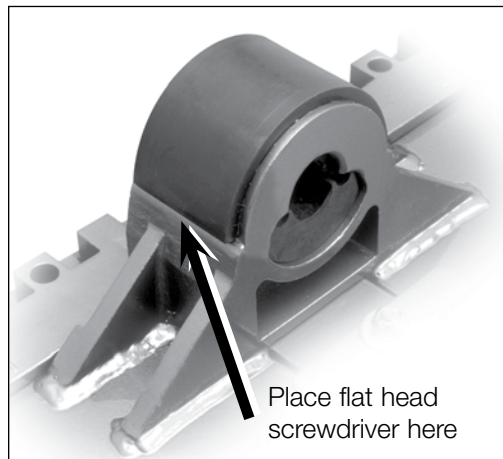


Installation Instructions next page

## Installation Instructions

### Removal of a Bracket Liner:

1. Remove fifth wheel from the mounting bracket. Fifth wheel removal includes:
  - a. Removing cotter pins from the retainer pins
  - b. Removing the retainer pins
  - c. Removing the bracket pins from the fifth wheel
  - d. Remove fifth wheel from mounting bracket
2. Using a flat head screwdriver, pry – in an upward force – on the end of the bracket liner. Bracket liner should release from the mounting bracket.



### Installation of a new Bracket Liner:

1. Place the new bracket liner directly over the mounting bracket.
2. Using a rubber mallet, hit the top of the bracket liner using a swift strong blow. The new bracket liner should lock into place.
3. Once both new liners are installed, reinstall the fifth wheel onto the mounting bracket.
4. Insert the bracket pins back into the fifth wheel (note: placing some grease on the end of each bracket pin is recommended). Reinstall the retainer pin and cotter pins.
5. Tilt the fifth wheel to the front and back of the mounting bracket to ensure that the bracket liners are properly installed.

